



Sept 2004

Remote 10

10 Mile Wireless Remote System for controlling High Speed Cameras in Field Applications

Remote 10 will be your first choice for providing a wireless stand-off distance for remote operation of high speed cameras

- Performance
- Ease of use
- Reliability
- Rugged Design
- Industry Standards
- Economical

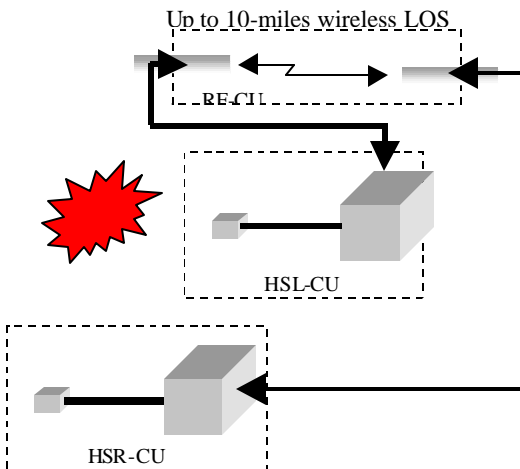
The simple solution – you will find **Remote 10** will provide the stand-off distance you need to control your high speed camera for safety. Up to 10 mile line-of-sight control is possible with the **Remote 10** system. Designed for rugged use, you will be able to control your high-speed camera as well as download images from a safe distance. Electronic cameras use DRAM memory. If you lose power during the time when you must keep your distance, your test images are gone. Using **Remote 10** allows you to see "Quick Look" playback of images as well as control the camera.

Connecting the camera in the field is easy. Just connect **Remote 10 local** unit to your cameras network interface. The **Remote 10** antenna is pointed toward your stand-off location. At the stand-off location, you connect **Remote 10's** control unit to your PC (laptop) network interface (Ethernet). **Remote 10's** network interface will then allow communication with the local unit. It is as if you were standing next to the camera and controlling it except you are up to 10 miles line-of-sight from the camera. Shown below is the system's block diagram and a picture of the **Remote 10** system.

Availability: 30 days ARO
Price: \$7000

Features

- 10-mile wireless operation Line-Of-Sight
- Rugged shipping case and all cables & antennas included
- Operate your camera from the same interface that you were trained to use



Applications

Ordnance Testing
Hazardous Material Testing
Intercept Tracking
Surveillance

Cameras Supported

Ultima APX
Ultima 512
Ultima 1024
Ultima SE



3949 Clairemont Dr.
Suite 18
San Diego, CA
92117-4308

Toll Free:
1-800-942-2395

Tel: 858-483-1562
Fax: 858-483-1587

mvp@motionvideoproducts.com